



PLATINUM SALES PROMOTION
35-14 Crescent Street
Astoria, NY 11106

Attn: Bruce Cappels



TEST REPORT NO: 2442607PP01

DATE: 24 JUNE 2011

SAMPLE(S) SUBMITTED

BY CLIENT AS: One (1) shipper identified as Spirited Shipper, 12 Bottle Box #SS12

DATE OF RECEIPT: 15 June 2011

TEST PERIOD: 23 June 2011

TEST(S) REQUESTED: The shipper was subjected to Random Vibration with Top Load, Random Vibration without Top Load and Free Fall Drop Tests in accordance with ISTA General Simulation Performance Test Procedure 3A for packages weighing 150 pounds or less.

TEST RESULTS: The shipper tested has satisfied ISTA General Simulation Performance Test Procedure 3A

PREPARED BY:

Brian Mennerich, CPLP
Test Engineer, Packaging Lab

**SIGNED FOR AND ON BEHALF OF
SGS U.S. TESTING COMPANY INC.:**

Jason Sherrier, CPLP
Lab Manager, Packaging Lab

bm

PAGE 1 OF 5

This document is issued by the Company subject to its General Conditions of Service printed overleaf, available on request or accessible at www.sgs.com/terms_and_conditions.htm and, for electronic format documents, subject to Terms and Conditions for Electronic Documents at www.sgs.com/terms_e-document.htm. Attention is drawn to the limitation of liability, indemnification and jurisdiction issues defined therein. Any holder of this document is advised that information contained hereon reflects the Company's findings at the time of its intervention only and within the limits of Client's instructions, if any. The Company's sole responsibility is to its Client and this document does not exonerate parties to a transaction from exercising all their rights and obligations under the transaction documents. This document cannot be reproduced except in full, without prior written approval of the Company. Any unauthorized alteration, forgery or falsification of the content or appearance of this document is unlawful and offenders may be prosecuted to the fullest extent of the law. Unless otherwise stated the results shown in this test report refer only to the sample(s) tested and such sample(s) are retained for 90 days only.

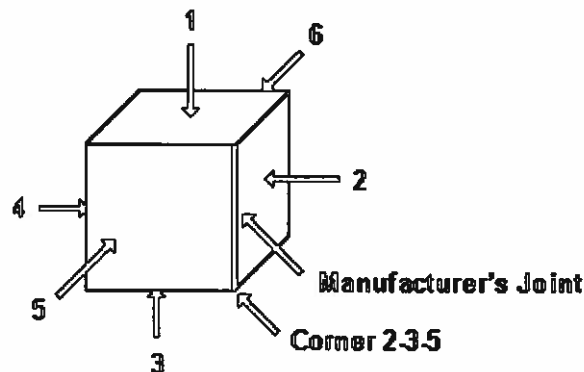
MATERIALS TESTED

| | |
|-----------------------|--|
| Manufacturer | Platinum Promotions |
| Style | RSC |
| Size | 17" x 12-3/4" x 16-5/8" (O.D.) |
| Certificate | 48 lb/in ECT (said to be) |
| Corrugations | Vertical BC Flute |
| Facings | Kraft / Kraft / Kraft (visual exam only) |
| Mfr's Joint | Glued |
| Identification | Spirited Shipper, 12 Bottle Box #SS12 |
| Printing | www.spiritedshipper.com |
| Closure | RPT, H-Pattern |
| Weight | 42 pounds |

EQUIPMENT USED

| | |
|--------------------|----------|
| Vibration (Random) | #051-86 |
| Drop Tester | #051-116 |

Please Note: Prior to actual testing the shipper's faces, edges and corners were identified as follows:



TEST(S) PERFORMED

Atmospheric Preconditioning

The shipper was tested at ambient conditions of 73°F @ 50% RH for 24 hours.

Free Fall Drop Test (1st Sequence)

The shipper was subjected to 9 free fall drops from a height of 18 inches in the following orientations:

| | |
|--------|--|
| Drop 1 | Edge 3-4 |
| Drop 2 | Edge 3-6 |
| Drop 3 | Edge 4-6 |
| Drop 4 | Corner 3-4-6 |
| Drop 5 | Corner 2-3-5 |
| Drop 6 | Edge 2-3 |
| Drop 7 | Edge 1-2 |
| Drop 8 | Face 3 (At twice the specified height) |
| Drop 9 | Face 3 (At the specified height) |

Dynamic Load – Random Vibration Test (TL1)

Upon completion of the Free Fall Drop the package was placed on the center of the vibration table so that **Face 3** rests on the platform. A top load of **70** pounds was positioned on top of the shipper and together they were subjected to random vibration from 1 to 200 Hz @ 0.53 Grms for a period of 60 minutes.

Dynamic Load – Random Vibration Test (TL2)

Upon completion of the first Top Load Vibration Test (TL1) the package was placed on the center of the vibration table so that **Face 4** rests on the platform. A top load of **95** pounds was positioned on top of the shipper and together they were subjected to random vibration from 1 to 200 Hz @ 0.53 Grms for a period of 30 minutes.

TEST(S) PERFORMED - CONTINUED

Dynamic Load – Random Vibration Test (TL3)

Upon completion of the second Top Load Vibration Test (TL2) the package was placed on the center of the vibration table so that **Face 6** rests on the platform. A top load of **70** pounds was positioned on top of the shipper and together they were subjected to random vibration from 1 to 200 Hz @ 0.53 Grms for a period of 30 minutes.

Random Vibration Test (No Top Load)

Upon completion of the third Top Load Vibration Test (TL3) the package was positioned on the center of the vibration table so that **Face 3** again rests on the platform and was subjected to random vibration from 1 to 200 Hz @ 0.46 Grms for a period of 30 minutes.

Free Fall Drop Test (2nd Sequence)

Upon completion of the No Top Load Vibration Test the shipper was subjected to 8 additional free fall drops from a height of 18 inches in the following orientations:

| | |
|---------|--|
| Drop 10 | Edge 3-4 |
| Drop 11 | Edge 3-6 |
| Drop 12 | Edge 1-5 |
| Drop 13 | Corner 3-4-6 |
| Drop 14 | Corner 1-2-6 |
| Drop 15 | Corner 1-4-5 |
| Drop 16 | Face 4 (At twice the specified height) |
| Drop 17 | Face 3 (At the specified height on Hazard) |

Testing is now complete.

RESULTS OF TESTS

Examination of the shipper upon completion of the test cycle revealed no damage to the product and that the packaging should continue to provide adequate protection for further handling.

The indications are that the packaged product as tested is adequately protected for shipment via Small Parcel Service distribution and has met the requirements of the International Safe Transit Association's General Simulation Performance Test Procedure 3A for packages weighing 150 pounds or less. However, it should be borne in mind that the results obtained by testing one package of a kind should not be considered conclusive.

We trust the results will prove useful and informative. Should you have any questions, please feel free to contact us.

End of Report

PAGE 5 OF 5

This document is issued by the Company subject to its General Conditions of Service printed overleaf, available on request or accessible at www.sgs.com/terms_and_conditions.htm and, for electronic format documents, subject to Terms and Conditions for Electronic Documents at www.sgs.com/terms_e-document.htm. Attention is drawn to the limitation of liability, indemnification and jurisdiction issues defined therein. Any holder of this document is advised that information contained hereon reflects the Company's findings at the time of its intervention only and within the limits of Client's instructions, if any. The Company's sole responsibility is to its Client and this document does not exonerate parties to a transaction from exercising all their rights and obligations under the transaction documents. This document cannot be reproduced except in full, without prior written approval of the Company. Any unauthorized alteration, forgery or falsification of the content or appearance of this document is unlawful and offenders may be prosecuted to the fullest extent of the law. Unless otherwise stated the results shown in this test report refer only to the sample(s) tested and such sample(s) are retained for 90 days only.